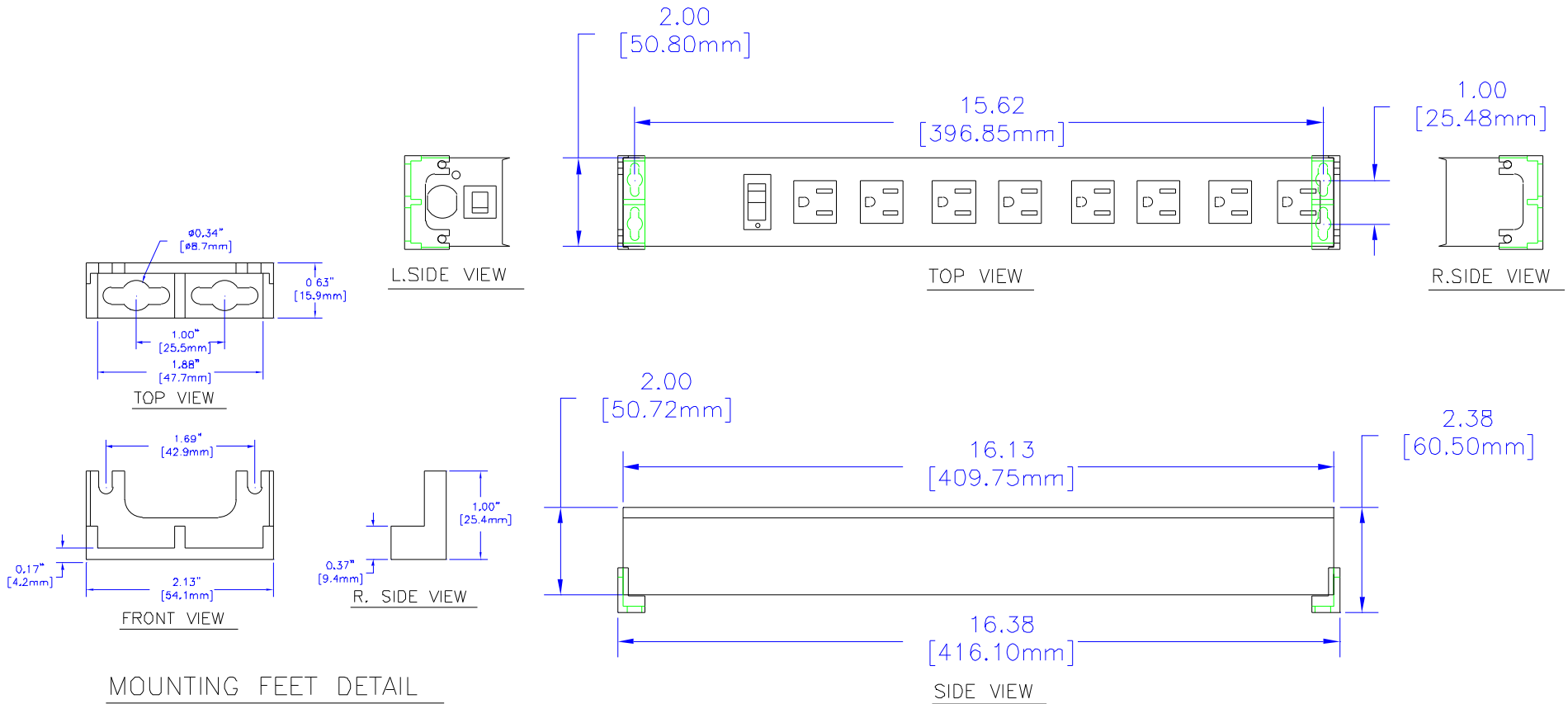


NOTES

BUILT TO MEET THE REQUIREMENTS OF INDUSTRIAL AND COMMERCIAL USE. ALL METAL HOUSING—TOUGH EXTRUDED ALUMINUM CASE WITH BLACK POWDER—COATED STEEL COVER.
 HEAVY-DUTY CORD - 14/3 SJTW WIRE FOR EXTREME TEMPERATURE RANGES.
 INTEGRAL MOLDED PLUG AVAILABLE IN STRAIGHT-BLADE (NEMA 5-15P) OR TWIST-LOCK (NEMA L5-15P) CONFIGURATIONS.
 SEPARATE MOUNTING FEET WITH KEYHOLE SLOTS PROVIDE FOR WORK STATION MOUNTING IF DESIRED.
 COMES WITH LIGHTED ON/OFF SWITCH.
 INCLUDES 15A, 125VAC CIRCUIT BREAKER TO PREVENT ACCIDENTAL LINE OVERLOAD.
 CSA CERTIFIED, UL 1363 LISTED.



*SEE CATALOG FOR THE COMPLETE PART NUMBER BASED ON THE OPTIONS LISTED IN THE NOTE SECTION

UNLESS OTHERWISE SPECIFIED
 DIMENSIONS ARE IN INCHES
 X +/- .1
 XX +/- .02
 XXX +/- .015
 GUTS +/- .005
 ANGLES +/- .5 DEG

NOTICE
 HAMMOND CLAIMS PROPRIETARY RIGHTS TO THE MARKING ON THIS DRAWING. IT IS INTENDED TO BE USED AS A REFERENCE FOR ENGINEERING INFORMATION ONLY. THIS INFORMATION MAY NOT BE USED TO MANUFACTURE PRODUCTS WITHOUT WRITTEN PERMISSION FROM HAMMOND MANUFACTURING.



**HAMMOND
 MANUFACTURING**

WEB: WWW.HAMMONDMFG.COM

TITLE		HAMMOND INDUSTRIAL GRADE POWER STRIPS	
DRAWN BY	MJM	DATE	02/09/01
SCALE		PAGE	1 OF 1
PART NUMBER		1584H8****	